

# ALL SS ELECTRIC CONTACT PRESSURE GAUGE



## DOM TYPE

### SPECIAL FEATURES

- CE & ATEX APPROVED ELECTRICAL CONTACTS
- STAINLESS STEEL CASE & MEASURING SYSTEM
- FILLED VERSION AVAILABLE
- STANDARD FOLLOWED IN GENERAL EN 837-1

### APPLICATIONS

TO CONTROL THE ELECTRICAL OPERATION OF COMPRESSORS, PUMPS, MOTORS, PRESSES, HYDRAULIC & PNEUMATIC EQUIPMENTS, CHEMICALS & PETROCHEMICAL PLANTS.

### SPECIFICATIONS

#### STANDARD VERSION : 100 mm & 150 mm

Accuracy	: ±1.0% of F. S.
Ambient temperature	: - 20°C to + 65°C
Process temperature	: Max. 100°C
Electric Wiring	: DIN Connector
Contact Setting	: Over on arc of 270° through a knob placed on front of lens
Operating pressure range	: 75% of Scale Value
Over pressure limit	: Not Suitable

Case & Bezel	: AISI 304 SS (Bayonet Type)
Bourdon	: AISI 316L SS
Socket	: AISI 316L SS (Directly Welded to Case)
Movement	: AISI 304 SS
Joints	: Tig Argon Arc Welding

Protection	: IP 65
Dial	: Aluminum, black graduation on white background
Pointer	: Aluminum, black coloured micrometer zero adjustable
Window	: Polycarbonate Dome
Electrical Contacts*	: Refer How to Order
Blow off Disc	: Neoprene
Gasket & Filling Plug	: Neoprene

\* Please specify contact set points while ordering.

#### FILLED VERSION - DIELECTRIC OIL (OPTION - ZZ)

Accuracy	: ±1.6% of F. S.
Ambient Temperature	: Maximum 65°C
Process Temperature	: +15°C / 65° C
Window	: Polycarbonate Dome
Blow off Disc*	: NBR
Gasket & Filling Plug*	: NBR
Dampening Liquids	: Dielectric Oil
Other Features	: Refer Specification of Standard Version

\*BOD, Gasket & Filling plug of NBR. Refer Price List for Viton.

#### Temperature effect:

The variation of indication caused by effects of temperature is to be calculated by below formula; which is to be added in the specified accuracy while measurement :-  
Formula :  $\pm 0.04 \times (t_2 - t_1) \% \text{ of F. S.}$   
where  $t_1$  = reference temperature (+20°C) and  $t_2$  = ambient temperature in °C.

Note : The addition of mechanical electric contacts affects the accuracy of instruments such that 1% becomes 1.5%, 1.6% becomes 2.4% etc. (Add the 50% of accuracy; If the contact is of the magnetically assisted type, this value can't be added within the  $\pm 5\%$  of setting point.)



IPS-PG-16



**Industrix Precise Solutions Private Limited**

Room No – 303, Bhumika Residency, Plot No-21, Sector-20, Roadpali, Kalamboli, Panvel (Tal.), Raigad (Dist.), Maharashtra, India – 410218.

Mobile: +91 99309 98399 / +91 99674 97447

E-mail: [admin@ipspl.in](mailto:admin@ipspl.in) / [sales@ipspl.in](mailto:sales@ipspl.in) Website: [www.ipspl.in](http://www.ipspl.in)

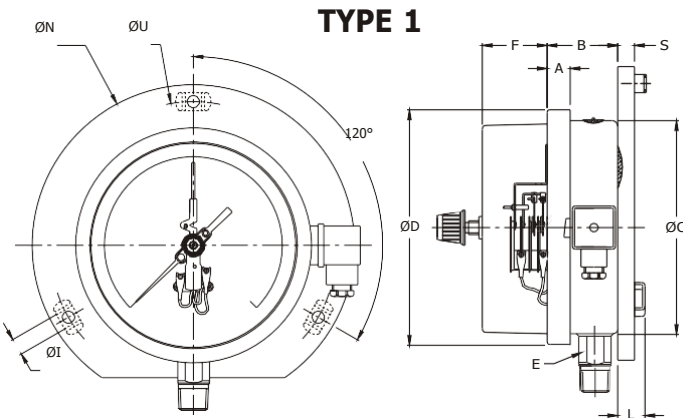
CIN : U52399MH2021PTC368555

# ALL SS ELECTRIC CONTACT PRESSURE GAUGE



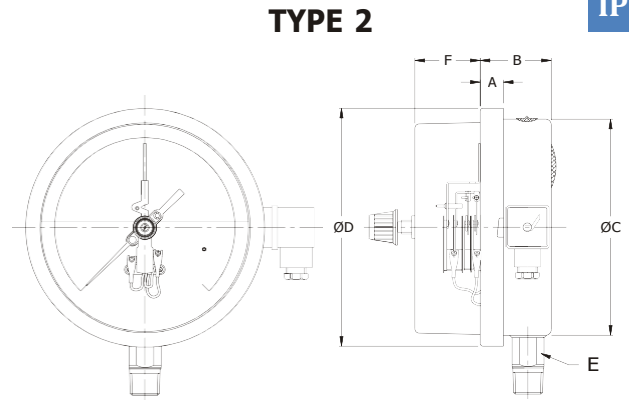
IPS-PG-16

## DIMENSIONS - STANDARD VERSION



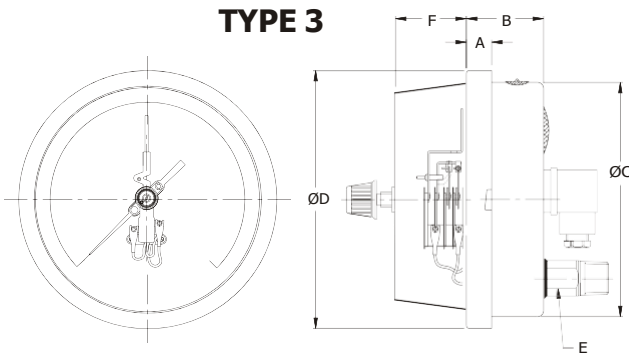
**TYPE 1**

NS	A	B	ØC	ØD	E	F	ØI	ØN	ØU	L	S	Weight in gram (With Box)
100	12.5	45	100	111	22	44	6	134	118	14.5	6	890.0
150	15	46.5	149	161	22	44	6	186	168	14.5	6	1370.0



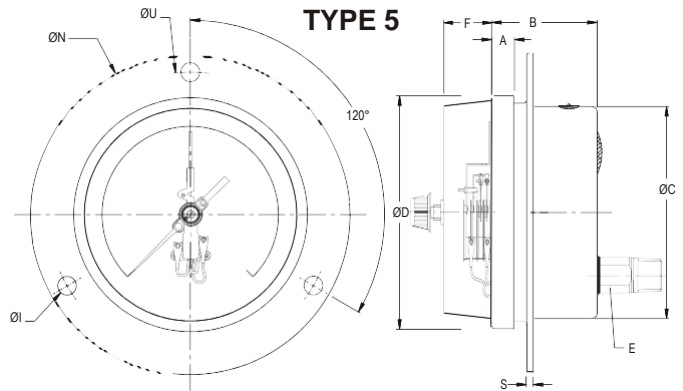
**TYPE 2**

NS	A	B	ØC	ØD	E	F	Weight in gram (With Box)
100	12.5	47	100	111	22	44	800.0
150	15	49	149	161	22	44	1200.0



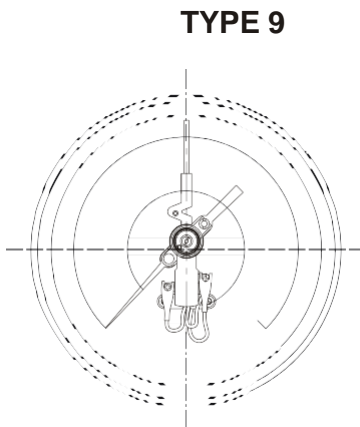
**TYPE 3**

NS	A	B	ØC	ØD	E	F	Weight in gram (With Box)
100	12.5	47	100	111	22	44	790.0
150	15	49	149	161	22	44	1140.0

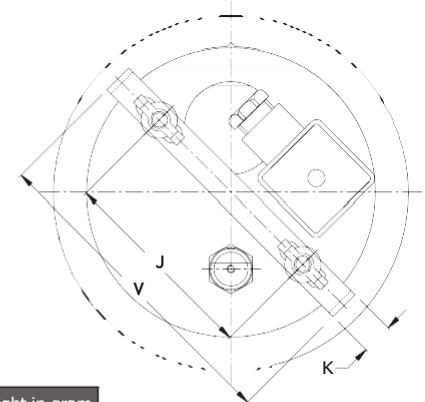
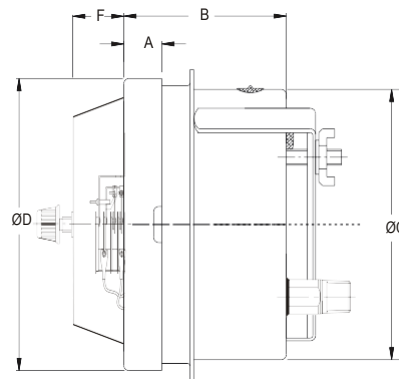


**TYPE 5**

NS	A	B	ØC	ØD	E	F	ØI	ØN	ØU	Weight in gram (With Box)
100	12.5	47	100	111	A/F 22	44	6	134	118	860.0
150	15	49	149	161	A/F 22	44	6	186	168	1300.0



**TYPE 9**



NS	A	B	ØC	ØD	E	F	J	K	V	Weight in gram (With Box)
100	12.5	47	100	111	A/F 22	44	72	16	108	870.0
150	15	49	149	161	A/F 22	44	106.5	16	166	1240.0



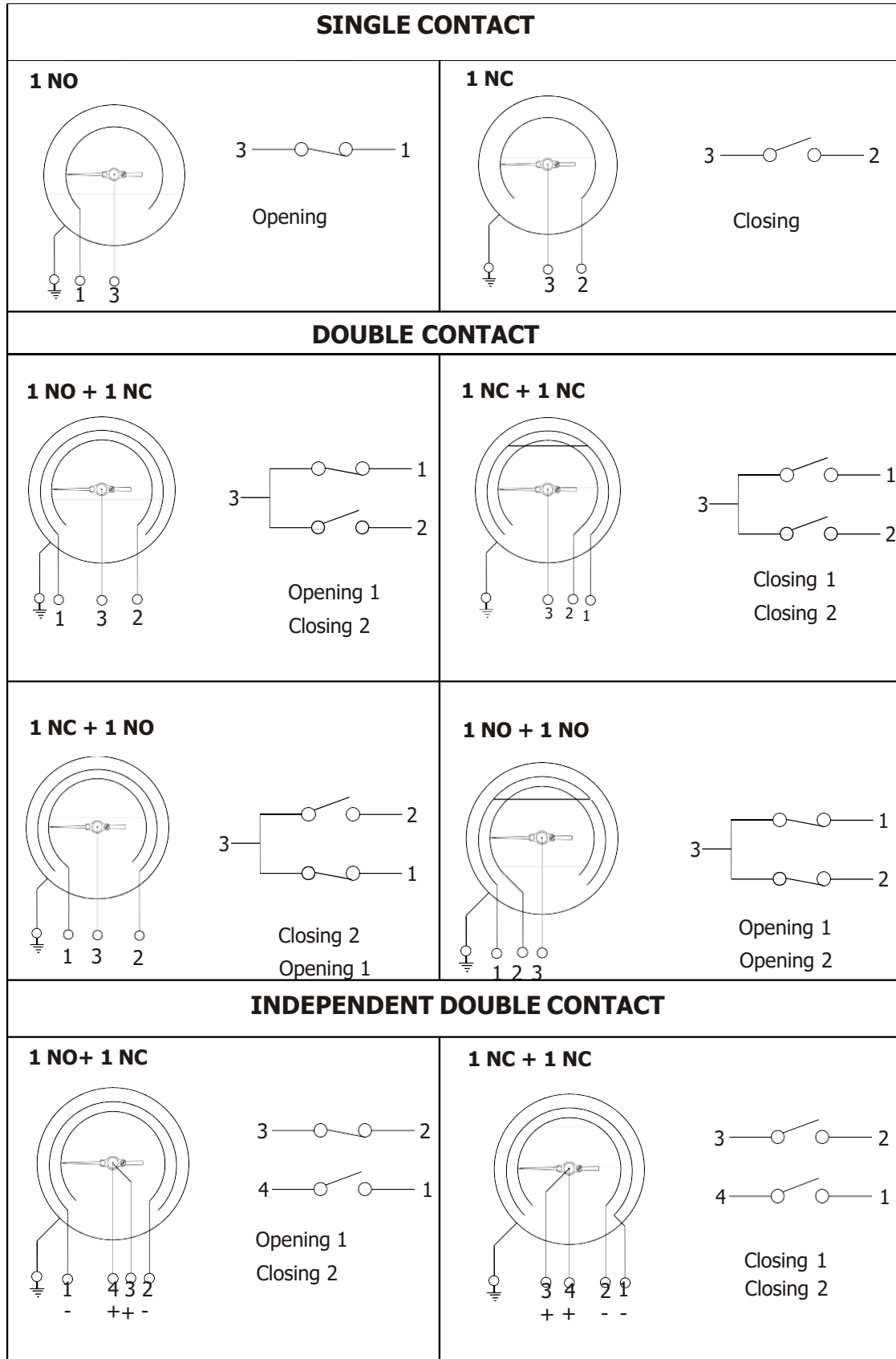
**IndustriX Precise Solutions Private Limited**

Room No – 303, Bhumika Residency, Plot No-21, Sector-20, Roadpali, Kalamboli, Panvel (Tal.), Raigad (Dist.), Maharashtra, India – 410218.

Mobile: +91 99309 98399 / +91 99674 97447

E-mail: [admin@ipspl.in](mailto:admin@ipspl.in) / [sales@ipspl.in](mailto:sales@ipspl.in) Website: [www.ipspl.in](http://www.ipspl.in)

CIN : U52399MH2021PTC368555



# ALL SS ELECTRIC CONTACT PRESSURE GAUGE



IPS-PG-16

## RANGE TABLE

**Note :** IPSP offers National / International Scales like kPa, MPa, bar, psi, kg/cm<sup>2</sup> & Dual Scale like kPa with psi, kPa with bar, bar with psi or Equivalent scales as per the requirement can be provided on request.

Following are the example tables for kg/cm<sup>2</sup> & psi scales

## PRESSURE & COMPOUND

PRESSURE - SINGLE SCALE (kg/cm <sup>2</sup> or bar)				COMPOUND - SINGLE SCALE (kg/cm <sup>2</sup> or bar)			
0/1.6	0/10	0/60	0/400				-1/5
0/2.5	0/16	0/100	0/600				-1/9
0/4	0/25	0/160	0/1000				-1/15
0/6	0/40	0/250	0/1600				
DUAL SCALE (psi with kg/cm <sup>2</sup> )							
psi	kg/cm <sup>2</sup>	psi	kg/cm <sup>2</sup>	psi	kg/cm <sup>2</sup>	psi	kg/cm <sup>2</sup>
0/25	0/1.6	0/220	0/16	0/1500	0/100	0/10000	0/700
0/35	0/2.5	0/300	0/20	0/2200	0/160	0/15000	0/1000
0/60	0/4	0/400	0/28	0/3000	0/200	0/22000	0/1600
0/100	0/7	0/600	0/40	0/4000	0/280		
0/150	0/10	0/1000	0/70	0/6000	0/400		

**Note:** Range above 1600 kg/cm<sup>2</sup>, consult factory.

## ACCESSORIES (Refer Datasheet for complete specifications)

EB	COOLING TOWER	ED	OVER LOAD PROTECTOR (GAUGE SAVER)	EG	SNUBBER
EC	GAUGE COCK	*	NEEDLE VALVE	EH	SIPHON

\* Refer catalogue for Valves & Manifolds.

## HOW TO ORDER

### BASIC MODEL CODE

### NOMINAL SIZE

F 100 mm H 150 mm

### TYPE OF MOUNTING

1	WALL, SURFACE, PROJECTION MOUNTING WITH BOTTOM ENTRY	5	FLUSH PANEL BACK ENTRY WITH FRONT FLANGE
2	DIRECT BOTTOM ENTRY	9	BACK ENTRY WITH MOUNTING BRACKET
3	DIRECT LOWER BACK ENTRY		

### ELECTRIC CONTACTS (CE & ATEX APPROVED)

#### SINGLE INSULATED MAGNETIC SNAP ACTION TYPE

(230 V AC, 1 Amp.)(48 V DC, 0.5 Amp.)

<b>RJ</b> Single; NORMALLY CLOSED (1 NC)	<b>YW</b> Single; NORMALLY OPEN (1 NO)
<b>RK</b> Double; NORMALLY CLOSED + NORMALLY OPEN (1 NC + 1 NO)	<b>YV</b> Single; NORMALLY CLOSED (1 NC)
<b>RL</b> Single; NORMALLY OPEN (1 NO)	<b>YX</b> Double; NORMALLY CLOSED + NORMALLY OPEN (1 NC + 1 NO)
<b>RM</b> Double; NORMALLY OPEN + NORMALLY CLOSED (1 NO + 1 NC)	<b>YY</b> Double; NORMALLY OPEN (BOTH NO)
<b>RN</b> Double; NORMALLY CLOSED (BOTH NC)	<b>YZ</b> Double; NORMALLY CLOSED (BOTH NC)
<b>RO</b> Double; NORMALLY OPEN (BOTH NO)	<b>ZA</b> Double; NORMALLY OPEN + NORMALLY CLOSED (1 NO + 1 NC)
<b>RU</b> BOOSTER WITH RELAY FOR CURRENT UPTO 5 Amp.	
<b>RA</b> SPDT	
<b>RC</b> DPDT	

\* FOR DOUBLE INSULATED ELECTRICAL CONTACTS, CONSULT FACTORY FOR PRICE & DELIVERY.

### GAUGE CONNECTION

<b>3BM</b> 3/8" BSP (M) STANDARD	<b>2NM</b> 1/4" NPT (M)	<b>2BM</b> 1/4" BSP (M)
<b>4BM</b> 1/2" BSP (M) STANDARD	<b>4NM</b> 1/2" NPT (M) STANDARD	<b>4MM</b> M20 x1.5 (M)

**Note :** Connections like Metric/ PT/ PF/ Flaired/ UNF/ G/ R etc can be provided on request.

### RANGE

REFER RANGE TABLE

### OPTIONAL EXTRAS

<b>TI</b> MONEL BOURDON & SOCKET (MONEL VERSION)**	<b>TF</b> CONFORMITY AS PER NACE MR 0175
<b>PS</b> AISI 316 SS CASE & BEZEL*	<b>RH</b> CUSTOM DESIGNED DIAL
<b>PW</b> FIVE POINT CALIBRATION CERTIFICATE	<b>QB</b> INTEGRAL DAMPENING SCREW (AISI 316 SS)
<b>ZZ</b> DIELECTRIC OIL FILLED#	<b>FL</b> INTEGRAL DAMPENING SCREW (MONEL)**
<b>SX</b> SS TAG PLATE	<b>SA</b> INTERNAL OVER PRESSURE STOP
<b>SW</b> DIAL TAG MARKING	<b>SB</b> INTERNAL VACUUM STOP
<b>TB</b> HELIUM LEAK TEST	<b>SF</b> MOVEMENT WITH DAMPENING JELLY
	<b>GH</b> MATERIAL TEST CERTIFICATES***

\* CONSULT FACTORY FOR MINIMUM ORDER QUANTITY & DELIVERY.

\*\*INTEGRAL DAMPENING SCREW WILL BE IN MONEL IF ORDERED. REFER OPTION FL.

\*\*\* MATERIAL TEST CERTIFICATES WILL BE PROVIDED FOR WETTED PARTS ONLY WITH CHEMICAL COMPOSITION TESTING. FOR OTHERS, PLEASE CONSULT FACTORY.

Modifications may take place and materials specified may be replaced by others without prior notice.

IPS-PG-16

X  
X

XX

XXX

0-10  
kg/cm<sup>2</sup>

XX



**IndustriX Precise Solutions Private Limited**

Room No – 303, Bhumika Residency, Plot No-21, Sector-20, Roadpali, Kalamboli, Panvel (Tal.), Raigad (Dist.), Maharashtra, India – 410218.

Mobile: +91 99309 98399 / +91 99674 97447

E-mail: [admin@ipspl.in](mailto:admin@ipspl.in) / [sales@ipspl.in](mailto:sales@ipspl.in) Website: [www.ipspl.in](http://www.ipspl.in)

CIN : U52399MH2021PTC368555